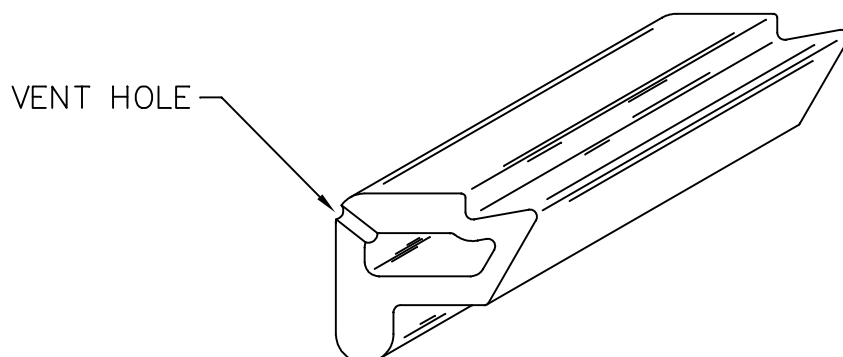


LEWMAR



KIT No.	PORTLIGHT	OVERALL SIZE REF
360526999	SIZE 10	174 x 304
360527999	SIZE 30	200 x 400
360528999	SIZE 32	200 x 400 R END
360790999	SIZE 40	200 x 480
360791999	SIZE 52	241 X 559
360792999	SIZE 60	200 x 600
360793999	SIZE 64	200 x 650

INSTRUCTIONS

Items required for seal replacement:

solvent based Contact adhesive for fixing seal into frame.

- 1 Remove the old seal by starting to lift the seal in one place and then pull it off all the way around.
- 2 Remove any excessive adhesive remaining in the seal channel, taking care not to damage the frame.
- 3 Apply the contact adhesive sparingly all round the frame channel and firmly press the seal into the frame, ensuring that the seal vent hole is positioned adjacent to a handle catch position.
- 4 Check the seal is pushed fully into the frame channel all the way around.

ATLANTIC PORTLIGHT SPARE PARTS

SEAL

ISSUE

1.3

DATE

2.12.97